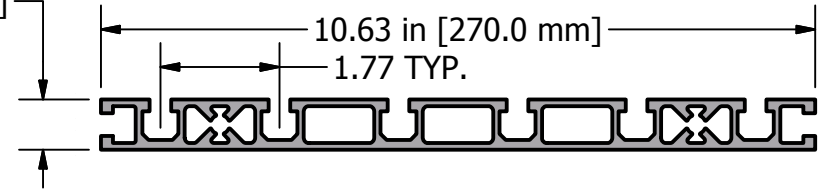


T-SLOTTED TOP MADE FOR  
19X270 PROFILE 20.1077

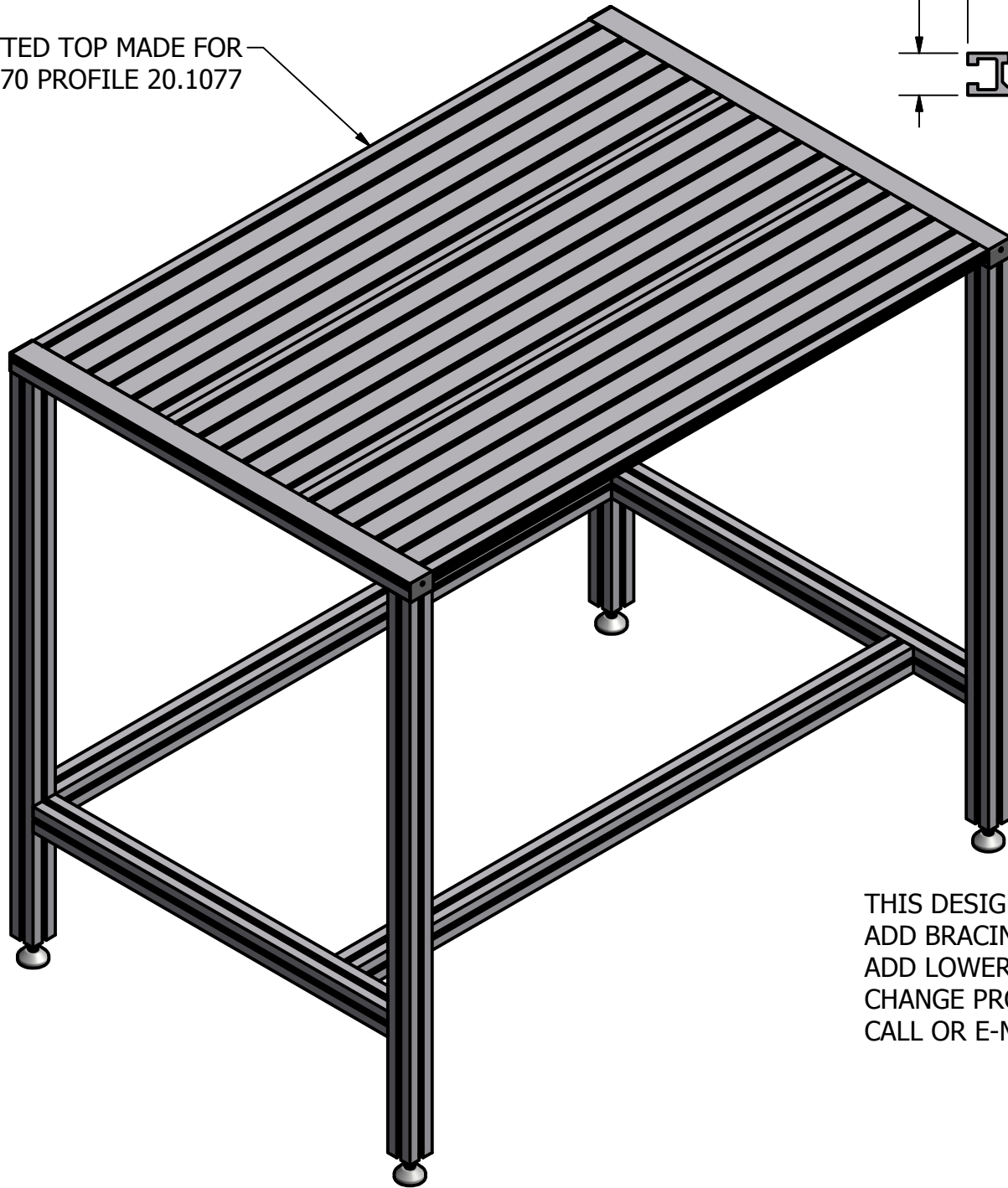
.75 in [19.0 mm]

10.63 in [270.0 mm]

1.77 TYP.



19X270 PROFILE



THIS DESIGN IS EASY TO CUSTOMIZE.  
ADD BRACING FOR ADDITIONAL STRENGTH  
ADD LOWER SHELVING OR SIZE SHELVES  
CHANGE PROFILES.  
CALL OR E-MAIL TODAY FOR MORE INFO.

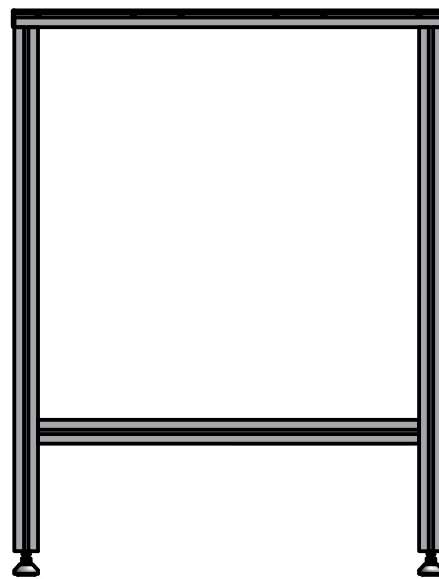
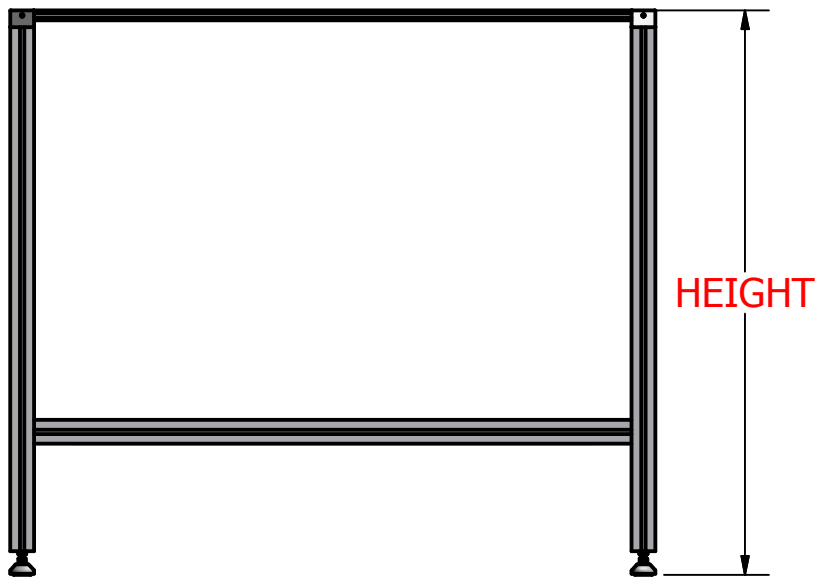
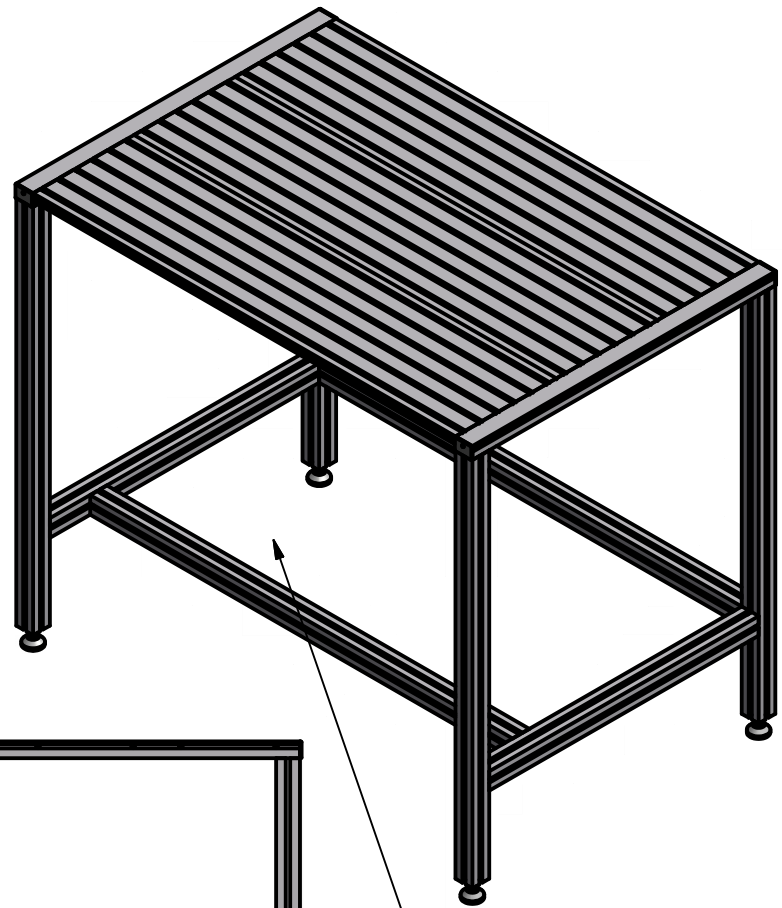
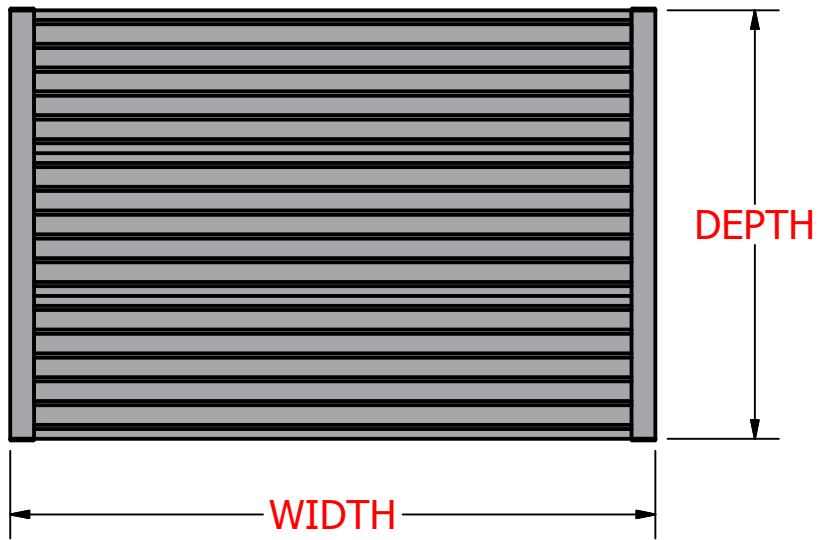
**MiniTec**  
THE ART OF SIMPLICITY

WWW.MINITECFRAMING.COM  
VICTOR, NY  
PH # 585 924-4690  
DIRECT 585 398-1240 EXT 104  
FX # 585 924-4821  
amoles@minitecframing.com

TITLE  
LIGHT DUTY T-SLOTTED  
TABLE

DWG NO  
**SP050113**

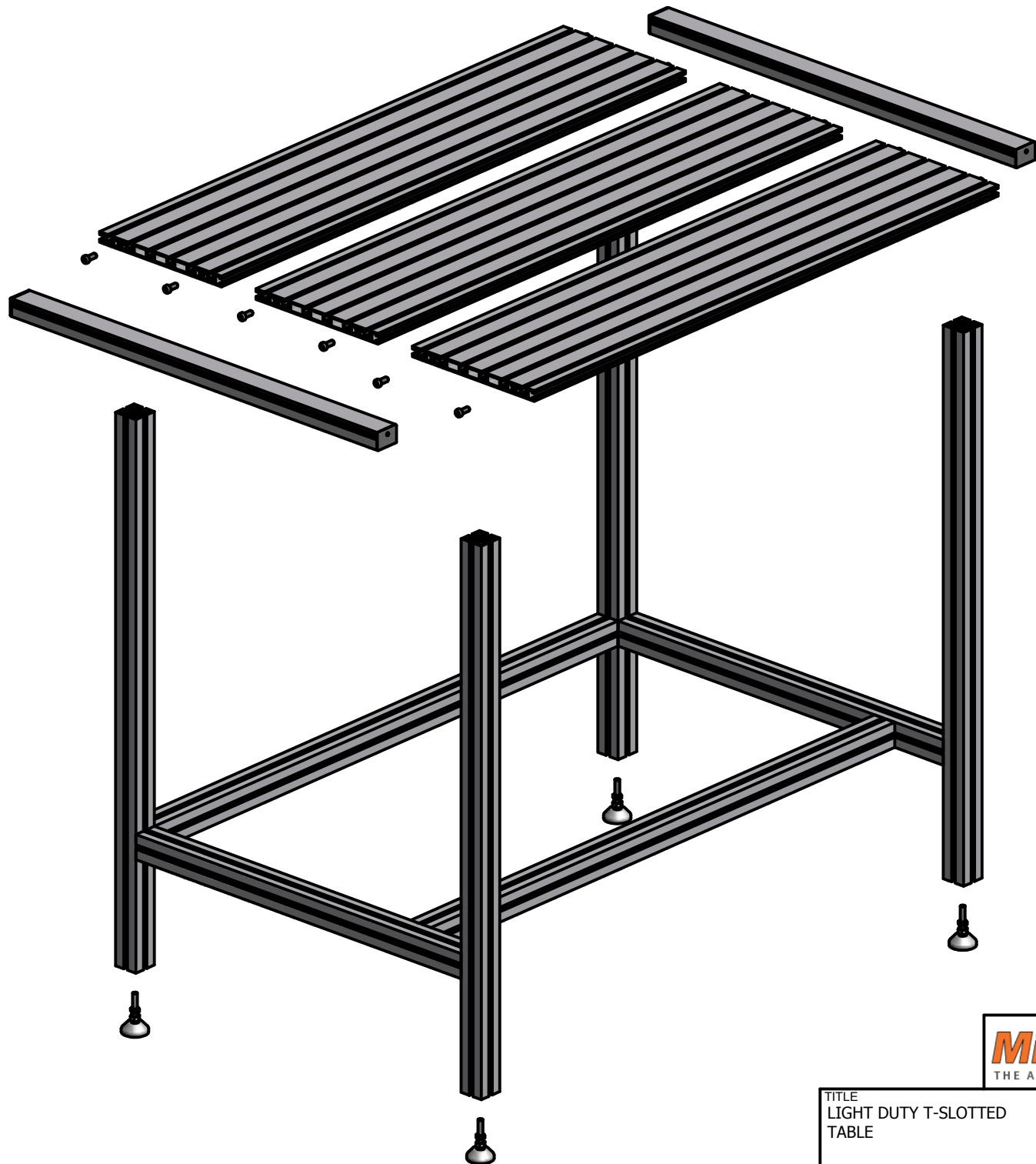
REV



[WWW.MINITECFRAMING.COM](http://WWW.MINITECFRAMING.COM)  
 VICTOR, NY  
 PH # 585 924-4690  
 DIRECT 585 398-1240 EXT 104  
 FX # 585 924-4821  
[amoles@minitecframing.com](mailto:amoles@minitecframing.com)

**MiniTec**  
 THE ART OF SIMPLICITY

TITLE LIGHT DUTY T-SLOTTED TABLE	DWG NO <b>SP050113</b>	REV
--	---------------------------	-----



**MiniTec**  
THE ART OF SIMPLICITY

WWW.MINITECFRAMING.COM  
VICTOR, NY  
PH # 585 924-4690  
DIRECT 585 398-1240 EXT 104  
FX # 585 924-4821  
amoles@minitecframing.com

TITLE  
LIGHT DUTY T-SLOTTED  
TABLE

DWG NO  
**SP050113**

REV